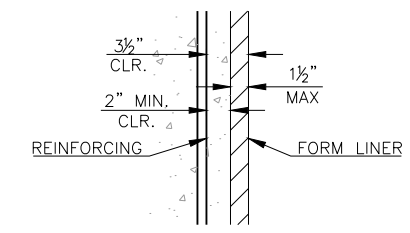
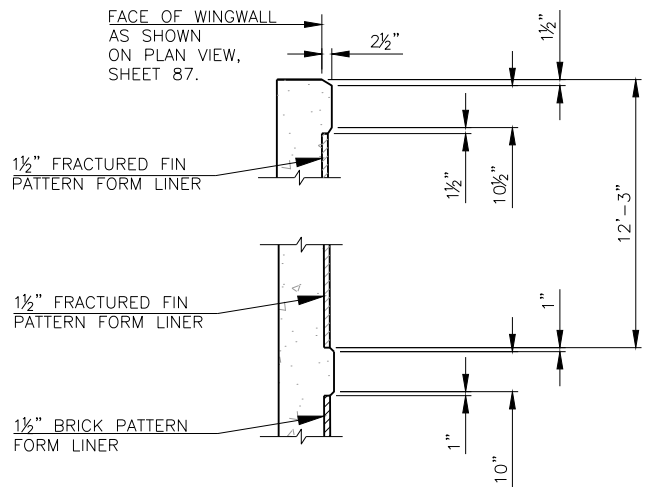


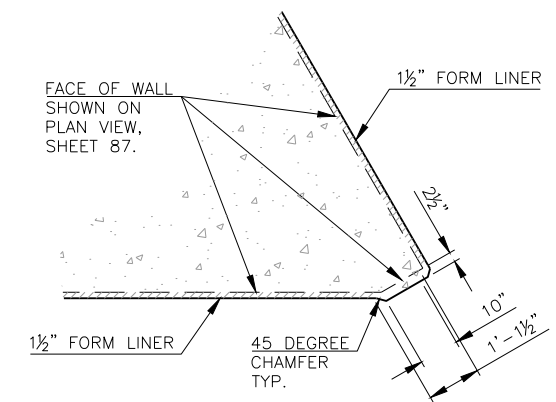
DESCRIPTION	REVISIONS	DATE



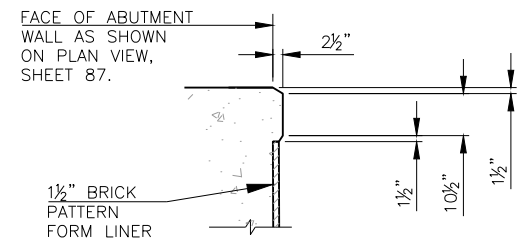
**DETAIL OF CLEAR COVER WITH FORM LINER**



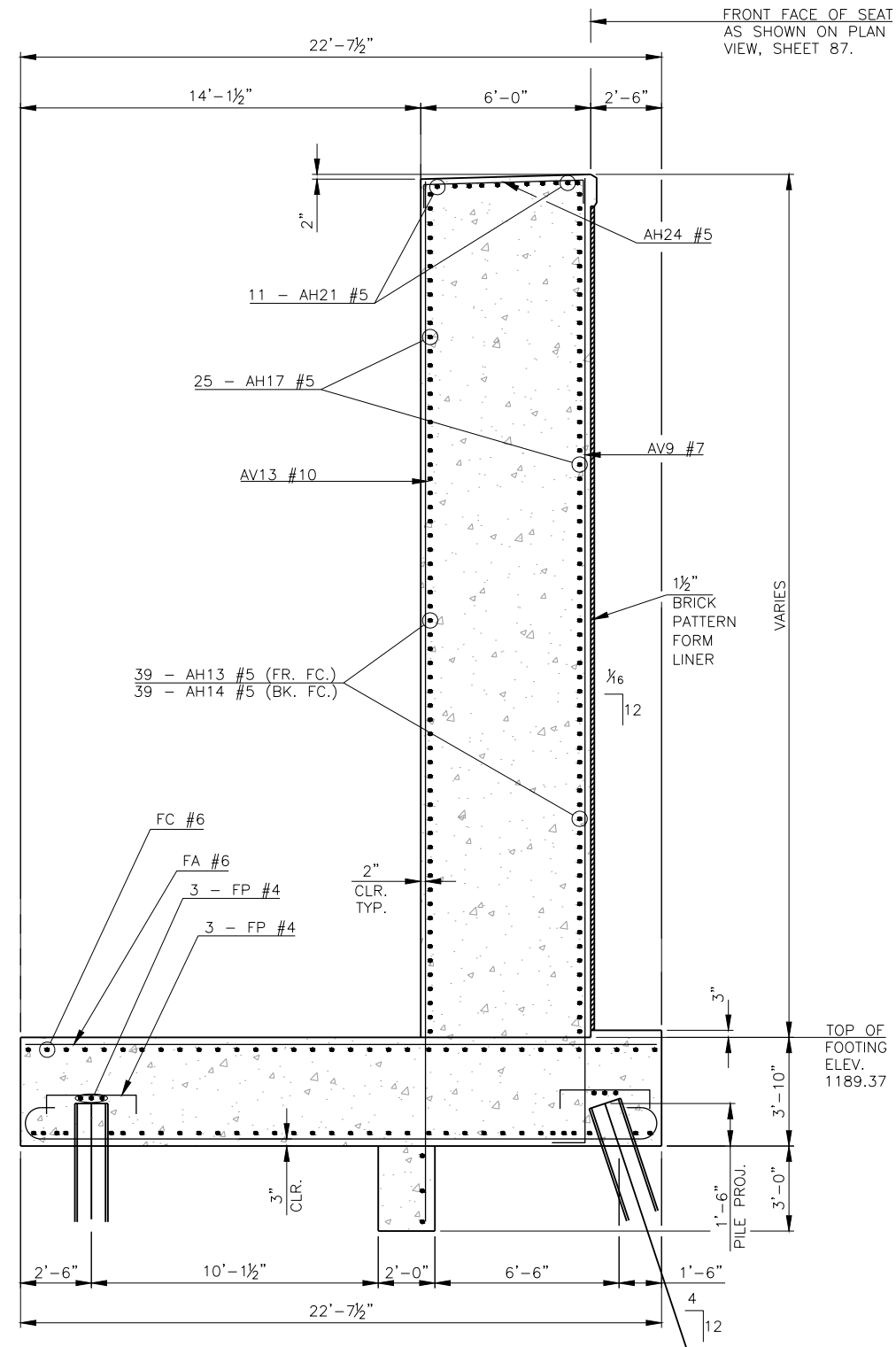
**SECTION C-C**



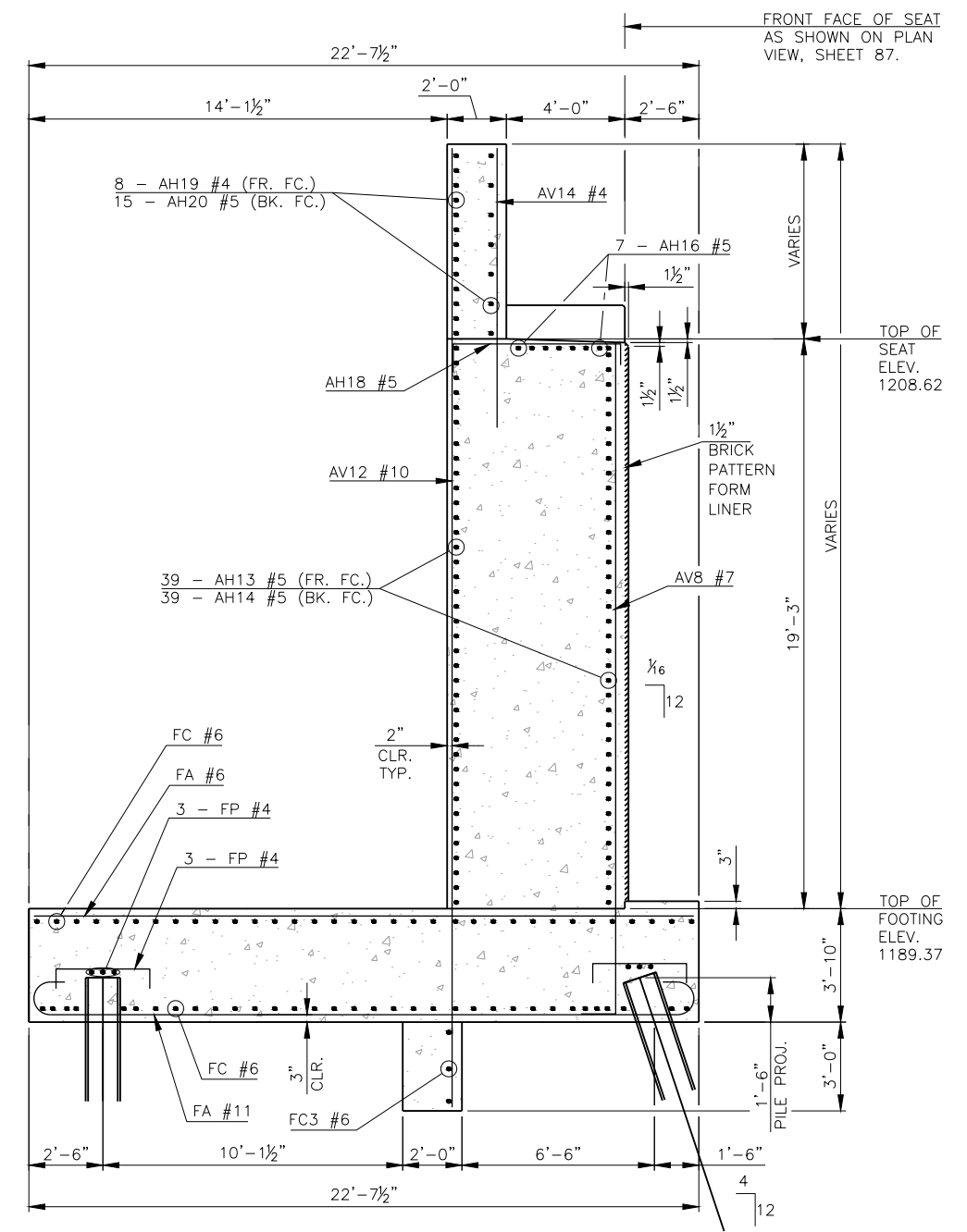
**SECTION D-D**



**SECTION E-E**



**SECTION B-B**



**SECTION A-A**

DESIGN	T.A.C.	OKLAHOMA CITY BLVD.	OKLAHOMA COUNTY
DRAWN	T.A.C.	OVER CLASSEN BLVD.	BRIDGE A
CHECKED	T.A.C.	<b>ABUTMENT NO. 2 - SECTIONS</b>	
APPROV.	T.A.C.		
SQUAD	CEC		
JOB PIECE NO. 17428(88)		SHEET NO. 90	